

Rigid Couplings

Steel / Stainless Steel, Slotted, for High Torques

SPECIFICATION

Bore codes

- Version **B**: Without keyway
- Version **K**: With keyway DIN 6885-1 JS9

Coupling

- Steel **ST**
Blackened
- Stainless steel AISI 303 **NI**
Plain finish

Socket cap screws ISO 4762

- Steel, blackened for ST
- Stainless steel for NI

Operating temperature **-40 °C to +175 °C**



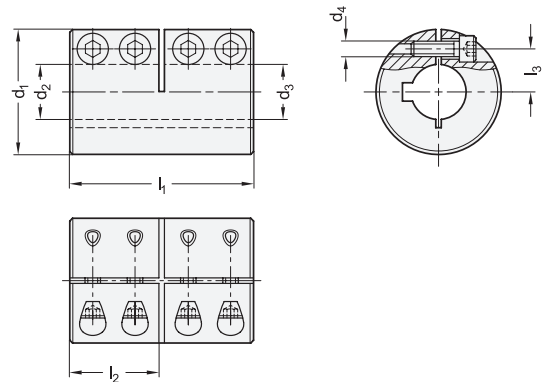
INFORMATION

Rigid couplings GN 2260 connect supported shafts or are used as couplings for shaft extensions. They transmit angular positions and high torques precisely and with zero backlash, without compensating for alignment errors and runout tolerances. The slotted design makes them very easy to install.

With the bore code K, the keyway is always integrated into both bores d_2 and d_3 . For applications with strong vibrations, thread locking is recommended for the clamping screws.

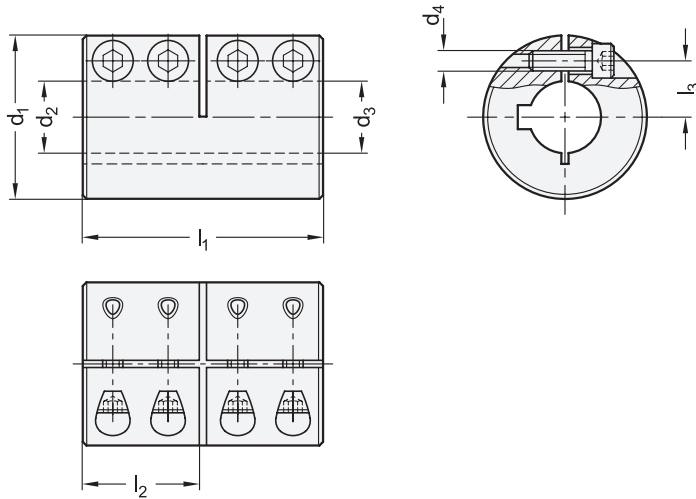
TECHNICAL INFORMATION

- Overview of Couplings (see page)
- Keyway P9 DIN 6885-1 (see page A16)
- ISO-Fundamental Tolerances (see page A21)
- Stainless Steel Characteristics (see page A26)



GN 2260-ST

Description	d_1	$d_2 - d_3$ H7 Recom. shaft tolerance h9	d_4	$l_1 \pm 1$	l_2 Max. shaft insertion depth	l_3	Tightening torque of the screws in Nm \approx	Rated torque in Nm	Max. rotational speed (min $^{-1}$)	Moment of inertia in kgm 2	
GN 2260-18-B6-6-ST	18	6-6	M 3	30	14.5	5.5	2	30	4000	2.02×10^{-6}	47
GN 2260-18-K6-6-ST	18	6-6	M 3	30	14.5	5.5	2	30	4000	2.02×10^{-6}	47
GN 2260-24-B8-8-ST	24	8-8	M 3	35	17	8.5	3	50	4000	7.91×10^{-6}	102
GN 2260-24-K8-8-ST	24	8-8	M 3	35	17	8.5	3	50	4000	7.91×10^{-6}	102
GN 2260-29-B10-10-ST	29	10-10	M 4	45	21.5	10	4.5	100	4000	2.16×10^{-5}	185
GN 2260-29-K10-10-ST	29	10-10	M 4	45	21.5	10	4.5	100	4000	2.16×10^{-5}	185
GN 2260-29-B12-12-ST	29	12-12	M 4	45	21.5	10	4.5	100	4000	2.16×10^{-5}	180
GN 2260-29-K12-12-ST	29	12-12	M 4	45	21.5	10	4.5	100	4000	2.16×10^{-5}	180
GN 2260-34-B14-14-ST	34	14-14	M 5	50	24	11.5	9	190	4000	4.33×10^{-5}	272
GN 2260-34-K14-14-ST	34	14-14	M 5	50	24	11.5	9	190	4000	4.33×10^{-5}	272
GN 2260-34-B15-15-ST	34	15-15	M 5	50	24	11.5	9	190	4000	4.33×10^{-5}	266
GN 2260-34-K15-15-ST	34	15-15	M 5	50	24	11.5	9	190	4000	4.33×10^{-5}	266
GN 2260-34-B16-16-ST	34	16-16	M 5	50	24	11.5	9	190	4000	4.12×10^{-5}	261
GN 2260-34-K16-16-ST	34	16-16	M 5	50	24	11.5	9	190	4000	4.12×10^{-5}	261
GN 2260-42-B20-20-ST	42	20-20	M 6	65	31.5	16	15	350	4000	1.37×10^{-4}	518
GN 2260-42-K20-20-ST	42	20-20	M 6	65	31.5	16	15	350	4000	1.37×10^{-4}	518
GN 2260-45-B25-25-ST	45	25-25	M 6	75	36.5	17.5	15	390	4000	2.12×10^{-4}	623
GN 2260-45-K25-25-ST	45	25-25	M 6	75	36.5	17.5	15	390	4000	2.12×10^{-4}	623
GN 2260-53-B30-30-ST	53	30-30	M 6	83	40.5	20.5	15	475	4000	4.51×10^{-4}	920
GN 2260-53-K30-30-ST	53	30-30	M 6	83	40.5	20.5	15	475	4000	4.51×10^{-4}	920
GN 2260-67-B35-35-ST	67	35-35	M 8	95	46.5	25	40	1100	4000	1.33×10^{-3}	1880
GN 2260-67-K35-35-ST	67	35-35	M 8	95	46.5	25	40	1100	4000	1.33×10^{-3}	1880
GN 2260-77-B40-40-ST	77	40-40	M 8	108	53	30	40	1325	4000	2.65×10^{-3}	2710
GN 2260-77-K40-40-ST	77	40-40	M 8	108	53	30	40	1325	4000	2.65×10^{-3}	2710
GN 2260-85-B50-50-ST	85	50-50	M 10	124	61	33	84	2250	4000	4.36×10^{-3}	3520
GN 2260-85-K50-50-ST	85	50-50	M 10	124	61	33	84	2250	4000	4.36×10^{-3}	3520



GN 2260-NI

STAINLESS STEEL

Description	d ₁	d ₂ - d ₃ H7 Recom. shaft tolerance h9	d ₄	l ₁ ±1	l ₂ Max. shaft insertion depth	l ₃	Tightening torque of the screws in Nm≈	Rated torque in Nm	Max. rotational speed (min ⁻¹)	Moment of inertia in kgm ²	⚖️
GN 2260-18-B6-6-NI	18	6-6	M 3	30	14.5	5.5	1.6	25	4000	2.04 x 10 ⁻⁶	47
GN 2260-18-K6-6-NI	18	6-6	M 3	30	14.5	5.5	1.6	25	4000	2.04 x 10 ⁻⁶	47
GN 2260-24-B8-8-NI	24	8-8	M 3	35	17	8.5	1.6	40	4000	8.01 x 10 ⁻⁶	102
GN 2260-24-K8-8-NI	24	8-8	M 3	35	17	8.5	1.6	40	4000	8.01 x 10 ⁻⁶	102
GN 2260-29-B10-10-NI	29	10-10	M 4	45	21.5	10	3.9	90	4000	2.19 x 10 ⁻⁵	185
GN 2260-29-K10-10-NI	29	10-10	M 4	45	21.5	10	3.9	90	4000	2.19 x 10 ⁻⁵	185
GN 2260-29-B12-12-NI	29	12-12	M 4	45	21.5	10	3.9	90	4000	2.19 x 10 ⁻⁵	180
GN 2260-29-K12-12-NI	29	12-12	M 4	45	21.5	10	3.9	90	4000	2.19 x 10 ⁻⁵	180
GN 2260-34-B14-14-NI	34	14-14	M 5	50	24	11.5	7.6	160	4000	4.39 x 10 ⁻⁵	272
GN 2260-34-K14-14-NI	34	14-14	M 5	50	24	11.5	7.6	160	4000	4.39 x 10 ⁻⁵	272
GN 2260-34-B15-15-NI	34	15-15	M 5	50	24	11.5	7.6	160	4000	4.38 x 10 ⁻⁵	266
GN 2260-34-K15-15-NI	34	15-15	M 5	50	24	11.5	7.6	160	4000	4.38 x 10 ⁻⁵	266
GN 2260-34-B16-16-NI	34	16-16	M 5	50	24	11.5	7.6	160	4000	4.38 x 10 ⁻⁵	261
GN 2260-34-K16-16-NI	34	16-16	M 5	50	24	11.5	7.6	160	4000	4.38 x 10 ⁻⁵	261
GN 2260-42-B20-20-NI	42	20-20	M 6	65	31.5	16	13.2	300	4000	1.39 x 10 ⁻⁴	518
GN 2260-42-K20-20-NI	42	20-20	M 6	65	31.5	16	13.2	300	4000	1.39 x 10 ⁻⁴	518
GN 2260-45-B25-25-NI	45	25-25	M 6	75	36.5	17.5	13.2	325	4000	2.15 x 10 ⁻⁴	623
GN 2260-45-K25-25-NI	45	25-25	M 6	75	36.5	17.5	13.2	325	4000	2.15 x 10 ⁻⁴	623
GN 2260-53-B30-30-NI	53	30-30	M 6	83	40.5	20.5	13.2	400	4000	4.57 x 10 ⁻⁴	920
GN 2260-53-K30-30-NI	53	30-30	M 6	83	40.5	20.5	13.2	400	4000	4.57 x 10 ⁻⁴	920
GN 2260-67-B35-35-NI	67	35-35	M 8	95	46.5	25	32	925	4000	1.34 x 10 ⁻⁴	1880
GN 2260-67-K35-35-NI	67	35-35	M 8	95	46.5	25	32	925	4000	1.34 x 10 ⁻⁴	1880
GN 2260-77-B40-40-NI	77	40-40	M 8	108	53	30	32	1100	4000	2.69 x 10 ⁻⁴	2710
GN 2260-77-K40-40-NI	77	40-40	M 8	108	53	30	32	1100	4000	2.69 x 10 ⁻⁴	2710
GN 2260-85-B50-50-NI	85	50-50	M 10	124	61	33	63	1875	4000	1.41 x 10 ⁻⁴	3520
GN 2260-85-K50-50-NI	85	50-50	M 10	124	61	33	63	1875	4000	1.41 x 10 ⁻⁴	3520



10 Joints, Couplings, Gears